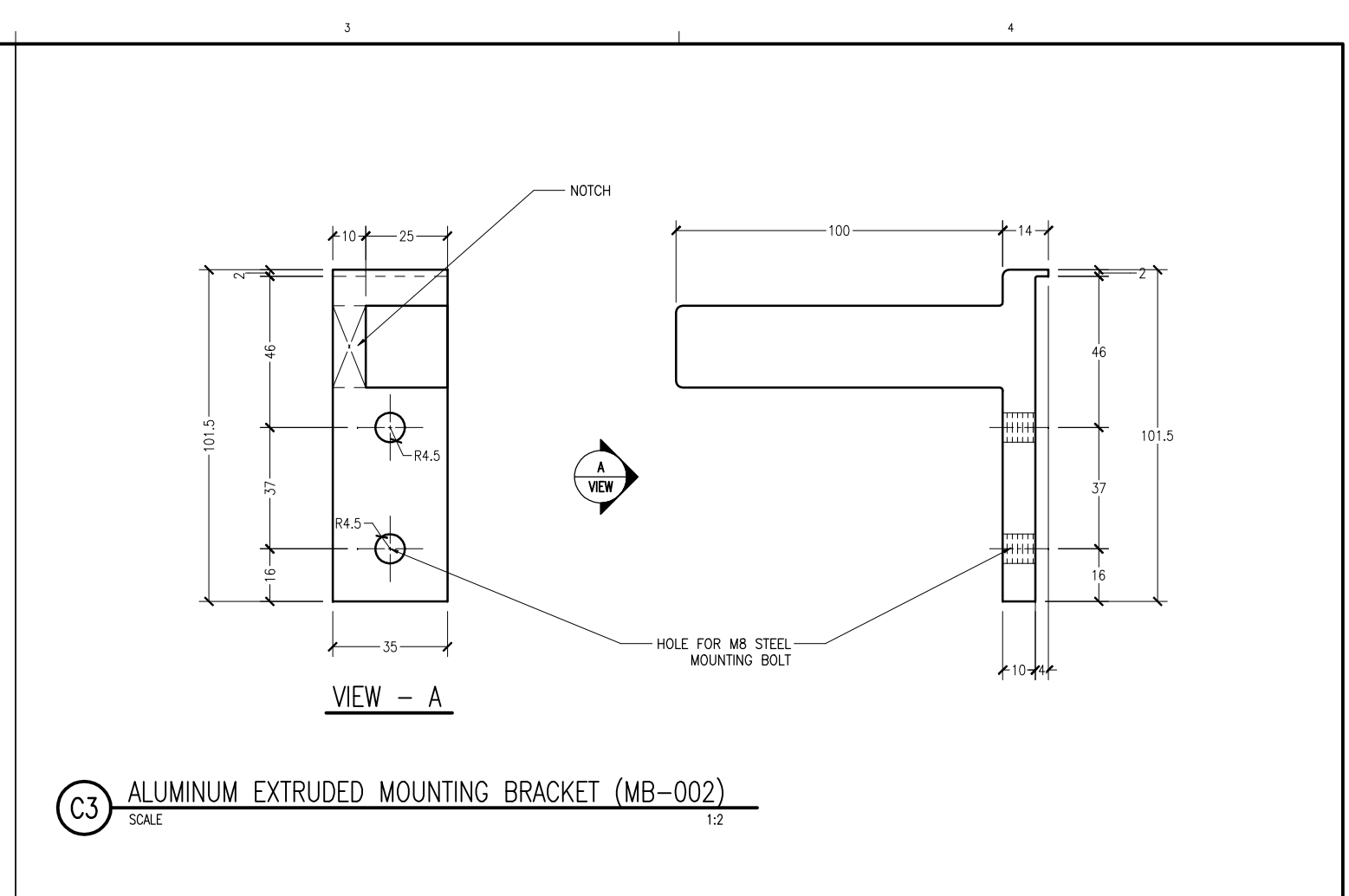
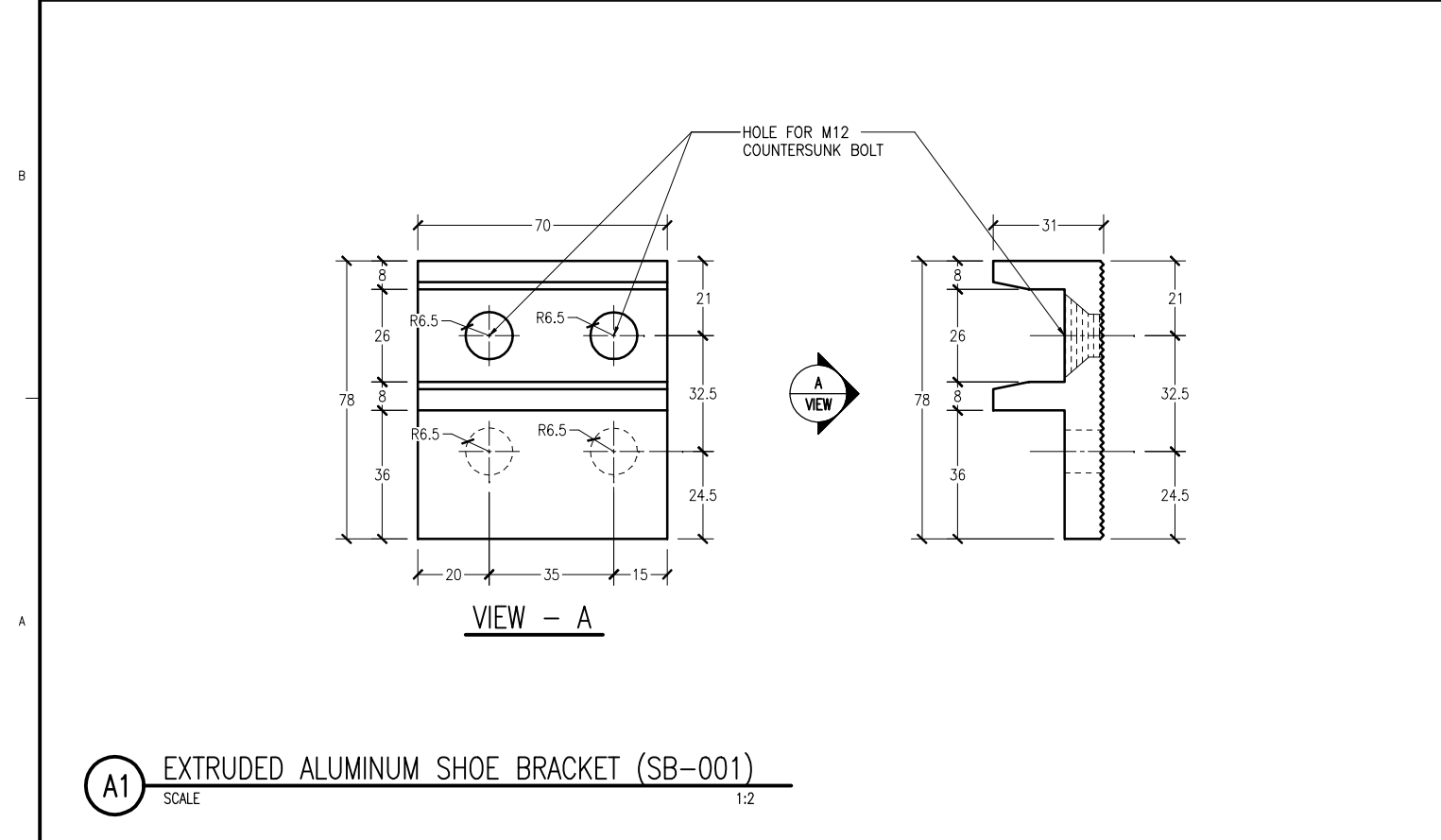


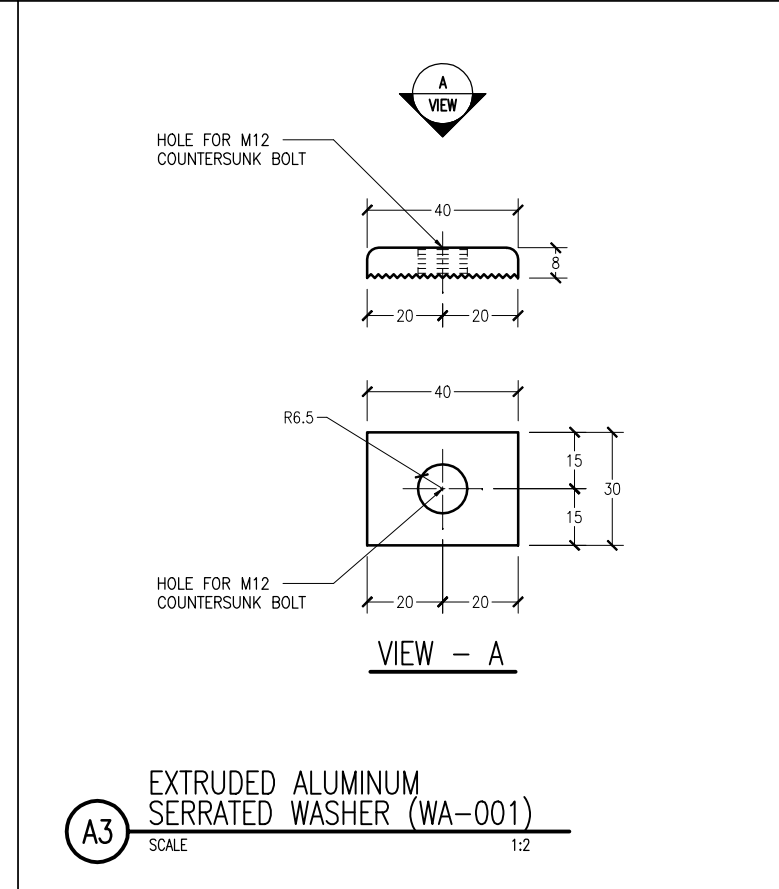
**C1** ALUMINUM EXTRUDED MOUNTING BRACKET (MB-001)  
SCALE 1:2



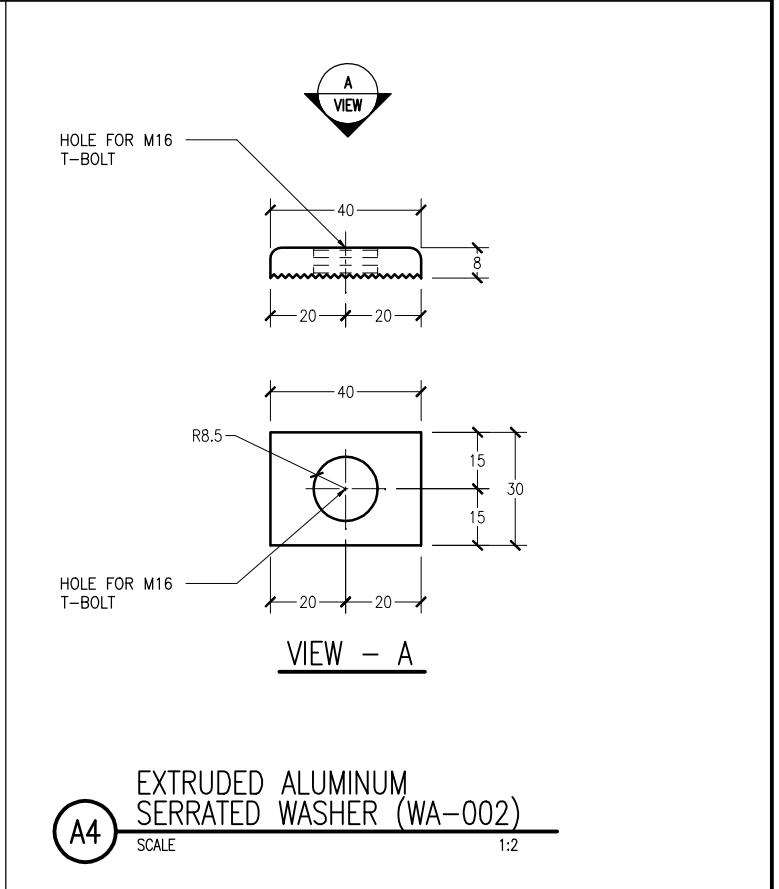
**C3** ALUMINUM EXTRUDED MOUNTING BRACKET (MB-002)  
SCALE 1:2



**A1** EXTRUDED ALUMINUM SHOE BRACKET (SB-001)  
SCALE 1:2



**A3** EXTRUDED ALUMINUM SERRATED WASHER (WA-001)  
SCALE 1:2



**A4** EXTRUDED ALUMINUM SERRATED WASHER (WA-002)  
SCALE 1:2

 ADDRESS, STREET, CITY, COUNTRY, ZIP, ETC	3RD ANGLE PROJECTION	PROJECT TITLE: <b>SAMPLE PROJECT</b>	POST PAINT	MATERIAL: -	SCALE: NOT TO SCALE	DATE: DDMMYYYY	
		PROJECT NO. XXXX	PRE PAINT	DRAWING TITLE: <b>BRACKET ASSEMBLY</b>	DRAWN BY: PTCC-RJMR	APPROVED BY:	
	Standard ±1 Tolerance ±0.5	Angle ±1' Squareness ±1	PART	SUB-ASSEM.	CHECKED BY: PTCC-MT	SHEET 1	REV. 0
	DD MMM YYYY	1ST SUBMISSION	RJMR	DIE/REF. NO. ---	DRAWING NO. <b>BK-01</b>	FINISH: -	
REV	DATE	DESCRIPTION	BY				